



MACHAKOS UNIVERSITY

University Examinations for 2019/2020 Academic Year

SCHOOL OF ENGINEERING AND TECHNOLOGY

DEPARTMENT OF ELECTRICAL AND ELECTRONICS ENGINEERING

FIRST YEAR THIRD SEMESTER EXAMINATION FOR

CERTIFICATE IN ELECTRICAL ENGINEERING

1305/312 TECHNICAL DRAWING

DATE: 16/12/2020

TIME: 2:30 – 5:30 PM

INSTRUCTIONS TO CANDIDATES

- i) Attempt the following FIVE questions
- ii) All dimensions are in millimeters

1. Using freehand draw the following tools and equipment a used in electrical engineering

- i) Motor
- ii) screw driver
- iii) plier
- iv) diode
- v) transformer
- vi) distribution board

(20 marks)

2. Fig TWO shows a first angle projection. Draw the isometric view of the same

3. A pictorial view of a mounting block is shown in Fig. 3. Draw the following views in 1st angle projection:

- i) Front elevation from the direction of arrow A
- ii) Left end elevation
- iii) Plan

(20 marks)

4. Figure 4 shows an isometric drawing of a machine block. Draw full size in third angle projection the following views showing all hidden details and any six important dimensions

- i. Front elevation from the direction shown
- ii. End elevation
- iii. Plan

(20 marks)

5. Draw an internal and external tangent using two unequal circles 40mm and 60mm respectively in a span of 80mm

Fig. 3

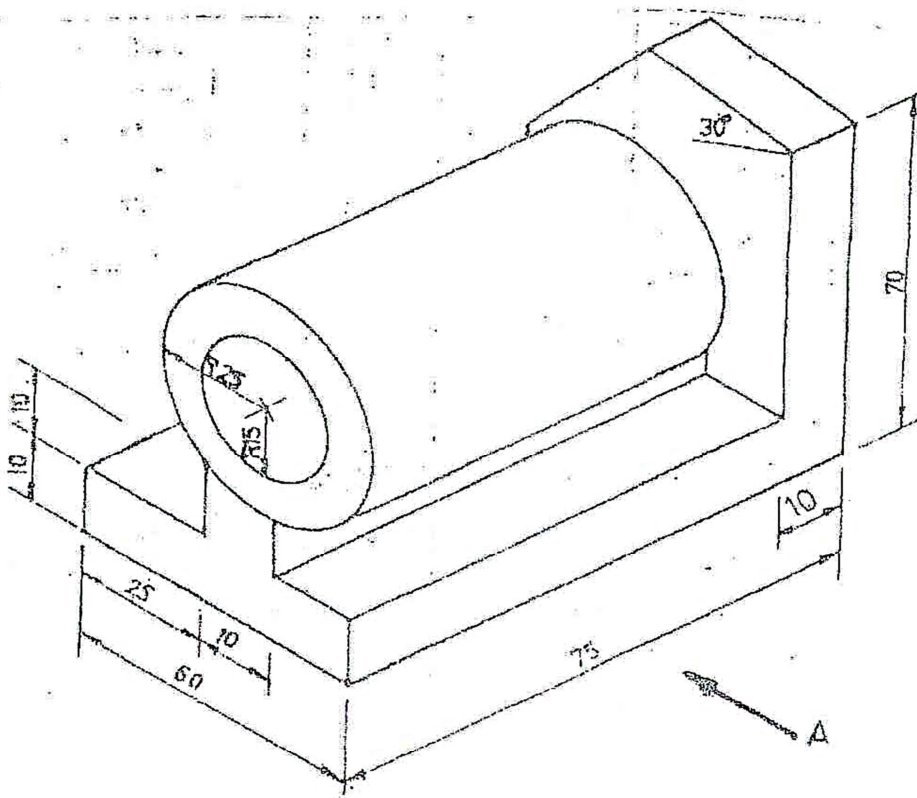


Fig. 4

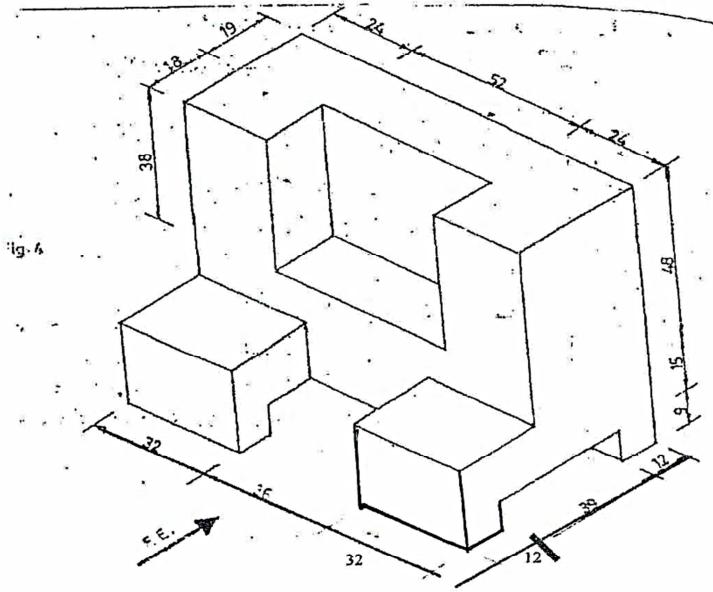


Fig. 2

