



# MACHAKOS UNIVERSITY

University Examinations for 2020/2021

SCHOOL OF ENGINEERING AND TECHNOLOGY

DEPARTMENT OF MECHANICAL ENGINEERING

SECOND YEAR SECOND TERM EXAMINATION FOR

DIPLOMA IN ELECTRICAL AND ELECTRONICS ENGINEERING

2920/205/CA COMPUTER AIDED DRAWING (AUTOCAD)

DATE: 10/9/2021

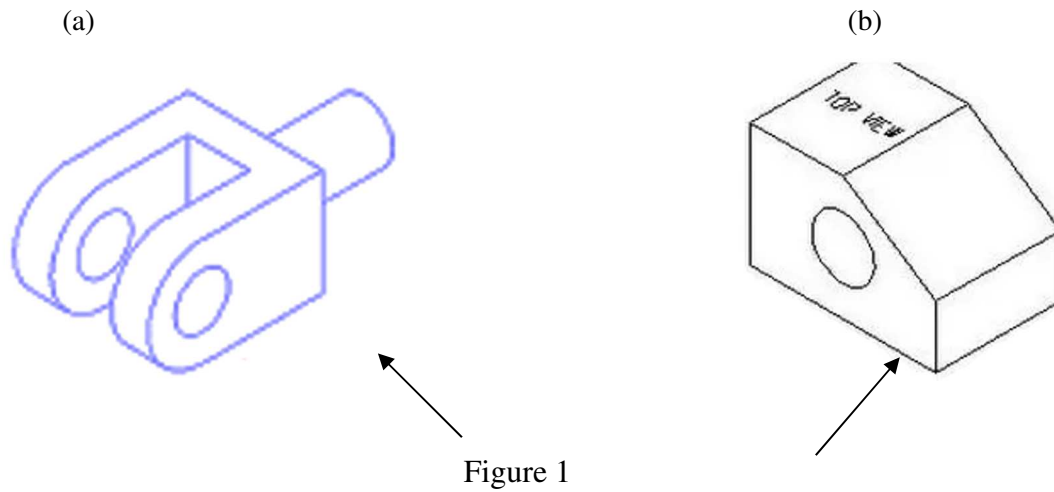
TIME: 8.30-11.30 AM

---

## INSTRUCTIONS:

Answer ALL the questions

1. a) Illustrate five types of lines using AutoCAD. (10 marks)  
b) Explain Five benefits of AutoCAD application software (10 marks)
2. a) With the aid of sketches differentiate between the following;  
i) Cartesian co-ordinates  
ii) Polar co- ordinates (8 marks)  
b) Explain the following drawing aids in CAD  
i) Object snap tracking;  
ii) Orthomode;  
iii) Object snap;  
iv) Polar tracking and polar snap. (12 marks)
3. Sketch the orthographic views for (a) in First angle and (b) in Third Angle of the isometric blocks shown taking the arrow direction as the front view using CAD programme.(20 marks)



4. Describe FOUR aspects that entail each of the following in AutoCAD

- a) Match properties;
- b) Mtext;
- c) Layers;
- d) Dimension;
- e) Hatch.

(20 marks)

5. Reproduce figure 2 using CAD programme

(20 marks)

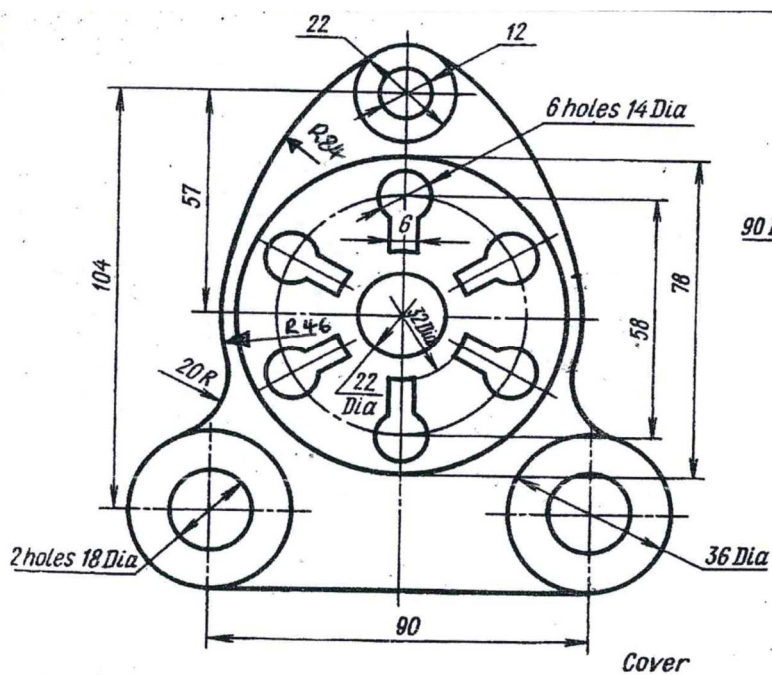


Figure 2