



# MACHAKOS UNIVERSITY

## SCHOOL OF ENGINEERING AND TECHNOLOGY

### DEPARTMENT OF CIVIL ENGINEERING

Second Year Second Semester Examination for Diploma in Civil Engineering

**BCECD 218:**

**CIVIL ENGINEERING DRAWING & CAD**

**Date: --/04/2020**

**Time: 8:30 -11:30 am**

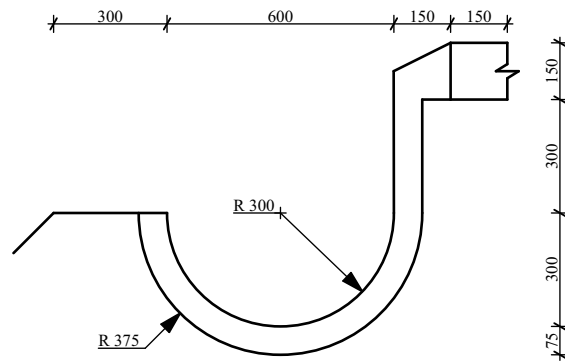
#### **Instructions:**

- *This paper consists of **TWO** questions.*
- *Answer **BOTH** questions.*
- *Maximum marks for each part of the question are as shown.*

Using the attached drawings and given specifications carry out the tasks given in the following questions:

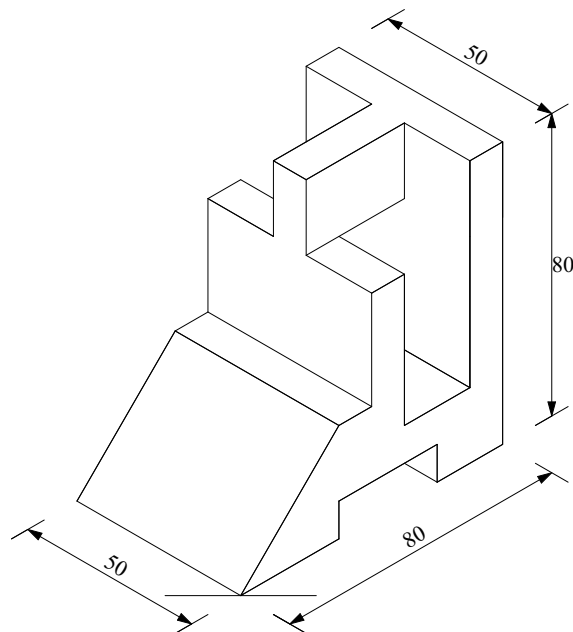
All dimensions are in mm  
Pen width : 0.35mm black  
Grid spacing : 10mm  
Dimension lines : 0.13mm black  
Dimension text : Times New Roman  
Font size : 3.0mm  
Assume any other relevant information

1. To a scale of 1:10, draw and annotate the brow ditch shown in drawing No. 01.  
(10 marks)
2. To a scale of 1:10, draw and annotate the shaped block shown in drawing No 02 in isometric projection  
(40 marks)



B R O W D I T C H

DRAWING NO. 01



DRAWING NO. 02